

10-Gigabit Ethernet Plus Switch with 1 Copper/SFP+ Combo Port



Leading the Industry with the 2nd Generation of 10-Gigabit Ethernet Plus Switches, Purposely Designed for SMB with Cost-Effective 10GBASE-T Connectivity and Basic L2 Management Features

As a leading provider of network equipment for SMBs, NETGEAR® continues to lead the networking industry with its 2nd Generation of 10-Gigabit Ethernet Plus Switches. The XS708Ev2 and XS716E are the market's most cost efficient 10-Gigabit Ethernet switches. Built for SMBs, workgroups, and even home offices, the XS708Ev2 provides 8 (eight) 10-Gigabit Copper ports and 1 Shared (Combo) Copper/SFP+ fiber port, while the XS716E provides 16 (sixteen) 10-Gigabit Copper ports and 1 Shared (Combo) Copper/SFP+ fiber port, all at an affordable price.

These 10-Gigabit Ethernet Plus switches are purposely designed as a cost-effective way to provide 10G connections to 10G-capable servers and NAS (Network Attached Storage) systems, and to meet current and future needs on virtualization,

converged networking, and mobility, removing the bottlenecks created by the proliferation of Gigabit-to-the-desktop and the explosion of wireless devices on the network.

As part of the switch product family, the XS708Ev2 and XS716E 10-Gigabit Ethernet switches come with configurable L2 network features such as VLAN, QoS, IGMP snooping, port trunking/link aggregation and rate limiting. These features help to further optimize business network performance, delivering great value and empowering the SMB network. Both switches feature an easy-to-use web browser-based management GUI in addition to plug-and-play connectivity.

The XS708Ev2 and XS716E are ideal switches for SMBs in need of simple and affordable 10-Gigabit Ethernet

connectivity into their 10G-capable servers and storage devices. Either can be used at the "center of a small business or home office network" or as an aggregation/access switch in a larger organization, connecting to a 10-Gigabit NETGEAR Fully Managed Switch on one end and extending the 10G connections to the edge. They are also ideal for smaller workgroups that need high bandwidth for sharing, collaborating, editing, and publishing high-density content like video or animation. Customers can use Cat6 or Cat7 copper cables with standard RJ45 Ethernet jacks that are already widely used in their current network. Network speeds can improve up to 10x going from traditional Gigabit to 10-Gigabit with minimal network changes and upgrades.

10-Gigabit Ethernet Plus Switch with 1 Copper/SFP+ Combo Port

Highlights

Configurable L2 Networking Features

10-Gigabit Ethernet Plus Switches provide plug-and-play connectivity and additional configurable L2 network features including:

- Port-based and 802.1Q-based VLAN support for traffic segmentation
- Port-based and 802.1p/DSCP-based QoS (Quality of Service) for traffic prioritization
- Auto "denial-of-service" (DoS) prevention
- IGMP snooping support for multicast optimization
- Loop detection and broadcast storm controls
- Rate limiting and priority queuing for better bandwidth allocation
- Port mirroring for network monitoring
- Port trunking/link aggregation (LAG) allows for increased throughput beyond 10G or to provide redundancy across the link(s)
- Jumbo frame support
- Web Interface with multiple language option¹

10-Gigabit Transition with BASE-T

10GBASE-T allows a standard RJ45 Ethernet jack and existing Cat 6 or Cat 7 network cables to be used, delivering a 10X increase in network performance with minimum changes/upgrades.

- 10GBASE-T is backward compatible, auto-negotiating between higher and lower speeds, alleviating the need for an all-at-once network equipment upgrade
- Cat 5e supported at 1G speeds only, up to 100 meters
- Cat 6 twisted pair supports 10-Gigabit speeds up to 45 meters
- Cat 6a or Cat 7 cabling supports 10-Gigabit speeds up to 100 meters

Designed as Core Switch for SMB Network

- 10G connection to 10G-capable servers and network storage
- 10-Gigabit fiber link for long-haul connections
- Future-proof your network with 10G bandwidth

Act as Aggregation Switch for Medium Sized Networks

- 10-Gigabit switches help to resolve the congestion issue between the network edge and the core, caused by the adoption of Gigabit-to-the-desktop
- 10-Gigabit Ethernet provides greater scalability than multiple Gigabit Ethernet links, resulting in a simplified and highly efficient network infrastructure
- Up to four (XS708Ev2) or eight (XS716E) 10-Gigabit Ethernet links can be aggregated into two 40-Gbps (XS708Ev2) or 80-Gbps (XS716E) uplink/downlink connections using static manual LAGs

Smart IT, not Big IT

- Easy-to-use web browser-based management GUI makes setup and management simple
- Standards-based technology ensures interoperability with any standards-based devices in the existing network
- Worry-free with NETGEAR Limited Lifetime* Hardware Warranty and Next-Business-Day (NBD) Replacement
- Get deployment assistance with 90-days Free 24x7 Advanced Technical Phone Support**
- Limited Lifetime* Online Chat Technical Support



10-Gigabit Ethernet Plus Switch with 1 Copper/SFP+ Combo Port

Hardware at a Glance

		Front				Rear		Side
Model Name	Form-Factor	100M/1G/10G Copper Ports	1G/10G SFP+ Ports	LED's	Reset Button	Power Supply	Kensington Lock	Fans
XS708Ev2	Rackmount/Desktop	8	1 shared (combo)	Power, Fan, Port Link/Speed/Activity	Yes	1 internal PSU, fixed	Yes	2 internal, fixed fans
XS716E	Rackmount/Desktop	16	1 shared (combo)	Power, Fan, Port Link/Speed/Activity	Yes	1 internal PSU, fixed	Yes	2 internal, fixed fans



- 8 x 10GBASE-T copper ports supporting 10G/1G/100M speeds
- 1 x Shared (combo) 10GBASE-T copper/10GBASE-X SFP+ port supporting 10G/1G speeds

- 16 x 10GBASE-T copper ports supporting 10G/1G/100M speeds
- 1 x Shared (combo) 10GBASE-T copper/10GBASE-X SFP+ port supporting 10G/1G speeds

Software at a Glance

LAYER 2 FEATURES							
Management	VLANs	QoS	Port Trunking (Manual LAG)	IP Multicast Filtering	Rate Limiting & Priority Queueing	Jumbo Frame Support	IEEE (802.3az) Energy Efficient Ethernet
Web Browser-based GUI (HTTP), PC-Based Pro-SAFE Plus Utility (PSU)	Port-based, IEEE 802.1Q-based, Voice	Port-based, IEEE 802.1p/DSCP-based	Up to 8 LAGs with max 8 members ¹	IGMP Snooping	Yes	Yes	Yes

Performance at a Glance

Model Name	Fabric	Packet Buffer	Latency (Max Connection Speed)	VLANs	MAC Address Table	Priority Queues	Multicast IGMP Group	Packet Forwarding Rate (64 byte)	Jumbo Frames (bytes)
XS708Ev2	160Gbps line-rate	2 MB	10GBASE-T: <3.70 μ s 10GBASE-X SFP+: <3.67 μ s	128	16K Entries (dynamic)	8 (WRR)	128	119 Mfps	up to 9K
XS716E	320Gbps line-rate	2 MB	10GBASE-T: <3.43 μ s 10GBASE-X SFP+: <2.41 μ s	128	16K Entries (dynamic)	8 (WRR)	128	238 Mfps	up to 9K

¹ Varies based on model. XS708Ev2 has up to 4 LAGs, XS716E has up to 8 LAGs, both with up to 8 members each.

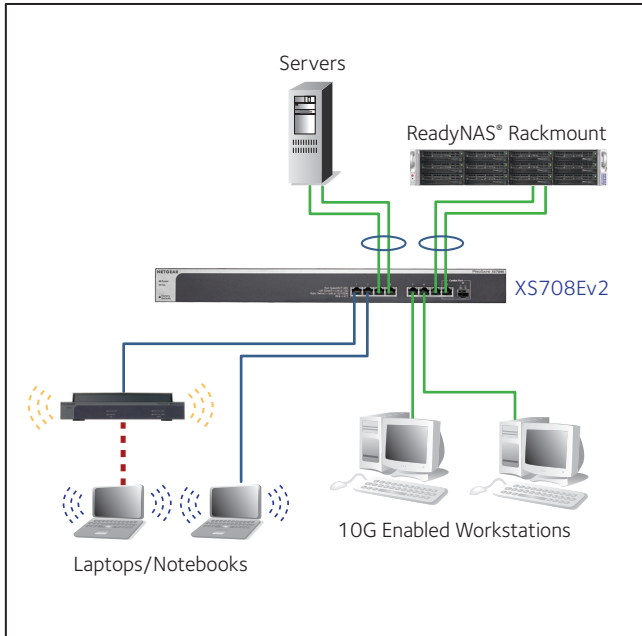
Features and Benefits

Hardware Features	Benefits
10GBASE-T Copper Ethernet connections	Support low-latency, line-rate 10G Copper "BASE-T" technology with backward compatibility to Fast Ethernet and Gigabit Ethernet. Cost-effectively migrate current network to 10G capacity by utilizing the existing Cat 6 RJ45 short connections (up to 45m) and Cat 6a/Cat 7 connections up to 100m.
10GBASE-X SFP+ ports	Providing flexibility to uplink to 10G-capable core or aggregation switches that support fiber links. Backward compatible to Gigabit fiber. Support copper or fiber modules.
Rackmount or desktop	Flexible deployment for either rackmount or desktop placement.
Kensington lock slot	Prevent theft, removal, or tampering when used for desktop deployment.
Software Features	Benefits
Port-based and 802.1Q-based VLANs	Segment network into smaller groups for more secure and efficient use of network resources.
Comprehensive QoS features: <ul style="list-style-type: none"> • Port-based or 802.1p-based prioritization • Layer 3-based (DSCP) prioritization • Port-based ingress and egress rate limiting 	Advanced controls for optimized network performance and better delivery of mission-critical traffic such as voice and video. Ingress and egress rate limiting allows for bandwidth shaping for mitigating network resources constraints or for optimizing guest access bandwidth on the network.
IGMP Snooping	For improved network efficiency on delivering multicast traffic. Save cost and improve network efficiency by ensuring multicast traffic only reaches designated receivers without the need of an extra multicast router.
Port trunking / Link Aggregation (Static Manual LAGs)	Build up bigger bandwidth to support aggregated uplink/downlink traffic or to provide redundant link(s) using Static Manual LAGs.
Loop detection and auto DoS prevention	Detect accidental network loops and protect against DoS attacks.
Port Mirroring	For better and quicker network diagnostics and troubleshooting.
Energy Efficient Ethernet (IEEE 802.3az)	For maximum power savings and reduced energy costs.
Cable Test	Easily identify bad Ethernet cables.
Multiple Language GUI	Product documentation and user interfaces are translated, giving you the ability to select your preferred language ¹

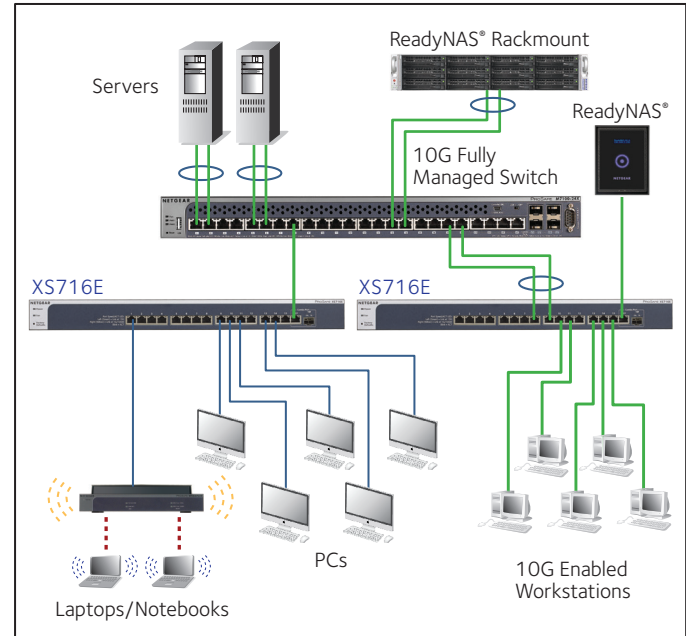
¹ English, German, and Japanese are the current supported languages.

Example Application

XS708Ev2 in SMB Network



XS716E as Workgroup Aggregation



— 10GE link — GE link - - - Wireless link

Why 10-Gigabit Switches and Why from NETGEAR?

NETGEAR introduced the industry's first cost-effective 10-Gigabit Switches for SMBs in 2013 and is the leading provider for affordable price points:

- Ideal for SMBs to use as the core switch, connecting to 10G-capable Servers and network storage.
- Expand network capacity, remove performance bottlenecks and/or support premise expansion needs.
- Cost-effectively expand 10G bandwidth from core switch in medium-sized networks to access switches which are equipped with 10G uplinks.
- Improved usability for easier and smoother deployment of voice, video, and WLAN on the same converged platform.
- Limited Lifetime* warranty on hardware, Limited Lifetime* Next-Business-Day (NBD) replacement, Limited Lifetime* tech support online chat, and 90-days Free Advanced Tech Phone Support** for peace-of-mind.

Technical Specifications

Technical Specifications	XS708Ev2	XS716E
100M/1G/10G RJ-45 copper ports	8	16
1G/10G SFP+ (fiber) ports	1 shared (combo)	1 shared (combo)
Performance Specification		
Packet buffer memory (Dynamically shared across only used ports)	2MB	
Forwarding modes	Store-and-forward	
Bandwidth	160Gbps	320 Gbps
Priority queues	8	8
Priority queuing	Weighted Round Robin (WRR)	
MAC Address database size (48-bit MAC addresses)	16K	
Multicast groups	128	
Number of VLANs	128	
Packet forwarding rate (64 byte packet size) (Mfps or Mpps)	119.0 Mfps	238.1 Mfps
Speed / Latency (copper ports)	100Mbps: <7.38 μ s	100Mbps: <7.14 μ s
	1Gbps: <3.04 μ s	1Gbps: <2.68 μ s
	10Gbps: <3.70 μ s	10Gbps: <3.43 μ s
Speed / Latency (SFP+ fiber port)	10Gbps: <3.67 μ s	10Gbps: <2.41 μ s
Jumbo frame support	Up to 9K packet size	
Acoustic noise level @ 25° C (dBA) (ANSI-S10.12)	36.7 dBA	33.9 dBA
Mean Time Between Failures (MTBF) @ 25° C	397,731 hours	348,257 hours
L2 Services - VLANs		
IEEE 802.1Q VLAN tagging	Yes	
Port-based VLANs (physical)	Yes	
L2 Services - Availability		
Broadcast, multicast, unknown unicast storm control	Yes	
Static Manual LAGs (Port Trunking)	Yes	
IEEE 802.3x (full duplex and flow control)	Yes	
L2 Services - Multicast Filtering		
IGMP snooping (v1, v2, and v3)	Yes (IGMP v3 source filtering not supported)	
IGMP snooping querier	No	
Block unknown multicast	Yes	
Static multicast router port	No	
L3 Services - DHCP		
DHCP client	Yes	

Technical Specifications

Link Aggregation	XS708Ev2	XS716E
Static Manual LAGs (Port Trunking)		Yes
# of Static LAGs / # of members in each LAG	4 LAGs with max 8 members in each LAG	8 LAGs with max 8 members in each LAG
Network Security		
Broadcast, multicast, unknown unicast storm control		Yes
DoS attacks prevention		Yes
Quality of Service		
Port-based rate limiting		Ingress and egress
Port-based QoS		Yes
IEEE 802.1p COS		Yes
IPv4 DSCP		Yes
IPv4 ToS		Yes
TCP/UDP-based		No
Weighted Round Robin (WRR)		Yes
Strict priority queue technology		No
IEEE Standards Supported		
<ul style="list-style-type: none"> • IEEE 802.3 Ethernet • IEEE 802.3u 100BASE-TX • IEEE 802.3ab 1000BASE-T • IEEE 802.3an 10GBASE-T 10Gbps Ethernet Over Copper Twisted Pair Cable • IEEE 802.3ae 10-Gigabit Ethernet Over Fiber (10GBASE-SR, 10GBASE-LR, 10GBASE-LRM, 10GBASE-ER, 10GBASE-LX4) 		<ul style="list-style-type: none"> • IEEE 802.3aq 10-Gigabit over Fiber (10GBASE-LRM) • IEEE 802.3z Gigabit Ethernet 1000BASE-SX/LX • IEEE 802.1Q VLAN Tagging • IEEE 802.3x Full-Duplex Flow Control • IEEE 802.1p Class of Service • IEEE 802.3az Energy Efficient Ethernet (EEE)
Management		
Password management		Yes
Web browser-based graphical user interface (GUI)		Yes
ProSAFE Plus Configuration Utility (PCU) for multi-switch management		Yes
Firmware update		TFTP (Plus Utility) / HTTP (Web GUI)
Config file transfers (backup, restore)		Plus Utility or Web GUI
Cable test utility		Yes
Port mirroring		Yes
Multiple Language GUI		Yes: English, German, Japanese
Max number of source ports allowed (many-to-one port mirroring)	7	15
Mirroring port can still work normally?		Yes
LEDs		
Per port		Speed, Link, Activity
Per device		Power, Fan

10-Gigabit Ethernet Plus Switch with 1 Copper/SFP+ Combo Port

Technical Specifications

Physical Specifications	XS708Ev2	XS716E
Dimensions (W x D x H)	440 x 204 x 43 mm (17.3 x 8.0 x 1.7 in)	440 x 204 x 43 mm (17.3 x 8.0 x 1.7 in)
Weight	2.80 kg (6.17 lb)	3.20 kg (7.07 lb)
Power Consumption		
Power Supply	Fixed internal PSU, 100-240VAC, 50-60Hz, 2A max Power cord localized to country of sale	Fixed internal PSU, 100-240VAC, 50-60Hz, 2.5A max Power cord localized to country of sale
Max power (worst case, all ports used, line-rate traffic) (Watts)	43.4 W	62.7 W
Min power (link-down standby) (Watts)	13.7 W	20.9 W
Heat Dissipation (max and min) (BTU/hr)	Max: 148.39 BTU Min:: 46.85 BTU	Max: 214.40 BTU Min:: 71.38 BTU
Energy Efficient Ethernet (EEE) IEEE 802.3az	Yes (deactivated by default)	
Short cable power reduction	Yes	Yes
Auto power-down	Yes	Yes
Fan(s)	2	3
Environmental Specifications		
Operating		
Operating temperature	0° to 50°C (32° to 122°F)	
Humidity (relative)	90% maximum relative humidity (RH), non-condensing	
Altitude	10,000 ft (3,000 m) maximum	
Storage		
Storage temperature	-20° to 70°C (- 4° to 158°F)	
Humidity (relative)	95% maximum relative humidity, non-condensing	
Altitude	10,000 ft (3,000 m) maximum	
Electromagnetic Emissions and Immunity		
Certifications	CE mark, commercial 47 CFR FCC Part 15, SubpartB, Class A; ANSI C63.4: 2014 EN 55022:2010 + AC:2011, Class A EN 55024:2010 AS/NZS CISPR 22:2009 + A1:2010, Class A V-3/2015.04, Class A V-4/2012.04 ICES-003:2012 Issue 5, Class A Russia EAC mark Korea KC mark CCC (China Compulsory Certificate) CNS 13438	
Electromagnetic Compliance (Class A or B)	Class A	

Technical Specifications

Safety Certifications	XS708Ev2	XS716E
Certifications	CB mark, commercial UL/cUL Listed (UL 60950-1)/CAN/CSA C22.2 No. 60960-1-07 EN 60950-1: 2006 + A11:2009 + A1:2010 + A12:2011 + A2:2013 IEC 60950-1:2005 (ed.2)+A1:2009+A2:2013 AN/NZS 60950.1:2011/Amdt 1: 2012 Russia EAC mark CCC (China Compulsory Certificate)	
Warranty and Support	Limited Lifetime* warranty Limited Lifetime* Online Technical Support Limited Lifetime** Next-Business-Day (NBD) Replacement	
ProSUPPORT OnCall 24x7, Service Packs**	Category 1: PMB0311 (1 yr) PMB0331 (3 yrs) PMB0351 (5 yrs)	Category 2: PMB0312 (1 yr) PMB0332 (3 yrs) PMB0352 (5 yrs)
Package Content	10-Gigabit Ethernet Plus Switch Power cord (localized to country of sale) Rackmount kit Rubber footpads for tabletop installation Installation guide	
All models		

Ordering Information

Ordering Information	
XS708E-200NES	North America, Latin America and Europe
XS708E-200AJS	Asia Pacific and Australia
XS708E-200PRS	China
XS708E-200INS	India
XS716E-100NES	North America, Latin America and Europe
XS716E-100AJS	Asia Pacific and Australia
XS716E-100PRS	China
XS716E-100INS	India
Optional Modules and Accessories	
AXM761-10000S	SFP+ Transceiver 10GBASE-SR (Short range, multimode)
AXM762-10000S	SFP+ Transceiver 10GBASE-LR (Long range, single mode)
AXM763-10000S	SFP+ Transceiver 10GBASE-LRM (Long range, multimode) (XS708T/XS716T only)
AXM764-10000S	SFP+ Transceiver 10GBASE-LR Lite (Long range lite, single mode)
AGM731F-10000S	SFP Transceiver 1000BASE-SX (Short range, multimode)
AGM732F-10000S	SFP Transceiver 1000BASE-LX (Long range, single mode)
AGM734-10000S	SFP Transceiver 1000BASE-T Copper RJ45 GBIC
AXC753-10000S	SFP+ to XFP DAC CABLE (3m)
AXC761-10000S	SFP+ DAC CABLE (1m)
AXC763-10000S	SFP+ DAC CABLE (3m)

* This product comes with a limited warranty that is valid only if purchased from a NETGEAR authorized reseller, and covers unmodified hardware, fans and internal power supplies - not software or external power supplies, and requires product registration at <https://www.netgear.com/business/registration> within 90 days of purchase; see <https://www.netgear.com/about/warranty> for details. Intended for indoor use only.

** The NETGEAR OnCall 24x7 contract provides unlimited phone and email technical support for your networking product. For products purchased prior to 06/2014, also includes next business-day hardware replacement.

NETGEAR and the NETGEAR Logo are trademarks of NETGEAR, Inc. in the United States and/or other countries. Other brand names mentioned herein are for identification purposes only and may be trademarks of their respective holder(s).

NETGEAR, Inc. 350 E. Plumeria Drive, San Jose, CA 95134-1911 USA, 1-888-NETGEAR(638-4327), E-mail: info@NETGEAR.com, www.NETGEAR.com

DS-XS708Ev2/XS716E-21Jan21